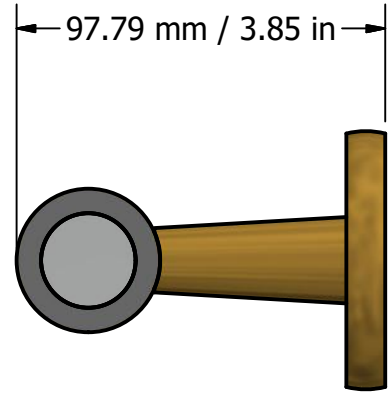
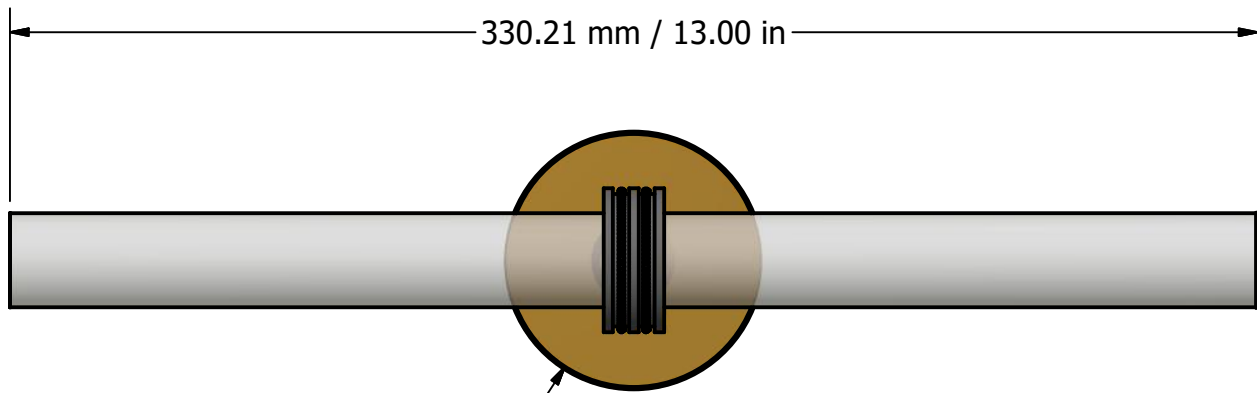
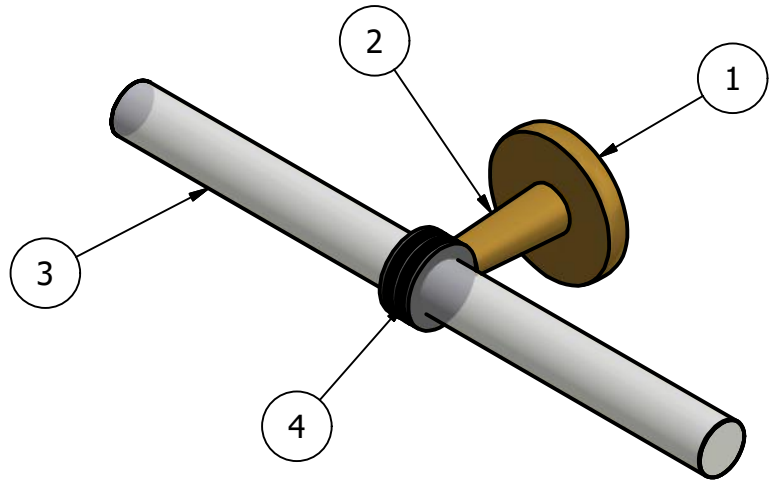




PARTS LIST			
ITEM	QTY	PART NUMBER	DESCRIPTION
1	1	BPRD	BACKPLATE
2	1	CL-TB	ACRYLIC POST
3	1	AC1-13	13' ACRYLIC BAR
4	1	RGDTT-1	RING WITH NEW SIZE HOLE



UNLESS OTHERWISE SPECIFIED	
.X	± .3mm
.XX	± .15mm
.XXX	± .008mm

UNIT IS IN MM.

APPROVED FOR PRODUCTION
 By: RICHARD PAUL
 Date: 10-15-18

DRAWN	10-15-18	IM	MATERIAL:	BRASS		FINISH	TBD
CHECKED	10-15-18	P.D.	DESCRIPTION:	Clearview Collection 2 Arm Guest Towel Holder w/ Dotted Accent		QTY	TBD
APPROVED	10-15-18	R.A.			DRAWING NO.	REV	
 THIRD ANGLE PROJECTION					CV-HTBD-2	0	
			SCALE	1.5:1	SHEET: 1 OF 1	A4	